

# POSU - Power Supply Module

Article number: 100805

Picture: Power Supply Module without cover (actual items may differ from photos).



## Description

The Power Supply Module supplies INDECT sensors, Multifunction Modules, Master Modules, LED Symbols and all other components connected to the bus with power. The Power Supply Module provides up to 90 bus users with 24 V.

## Advantages

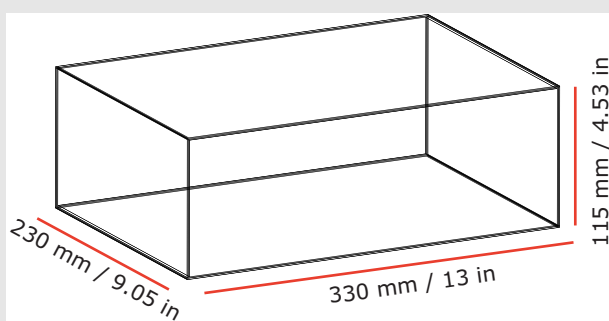
- Power supply support of the Communication Module (COMO)

## Commercial Data

Article name	Article number	Customs tariff number	Weight per unit
<b>Project Articles</b>			
<b>POSU</b> Additional power supply to power up to 180 UMS per COMO (see COMO); IP65	100805		5.2 kg (11.45 lbs)
<b>Replacement Articles</b>			
<b>Power Supply</b> Power supply unit to be installed in COMO or POSU	100832		

## Technical Data

Dimensions:



Input power:	100 - 120 VAC/5 A 200 - 240 VAC/2.5 A
Output power:	24 VDC/10 A
Casing colour:	Grey

Ingress Protection:	IP65
Ambient conditions:	-25 to 60 °C (-13 to 140 °F) 10 to 90% RH (non-condensing)
Storage temperature:	-40 to 70 °C (-40 to 158 °F)

## Mounting

The Power Supply Module can be mounted on walls, in cabinets etc.

- Recommended anchors/screws for wall mounting: at least 6 mm (1/4") anchors/screws

## Cabling

- Recommended cable for input: standard cable (e.g. NYM-J 2x1.5 mm<sup>2</sup> / AWG15 (A05VV-U 2x1.5 mm<sup>2</sup> / AWG15))  
**Note:** Comply with local standards and requirements!
- Recommended cable for output: NYM-J 2x1.5 mm<sup>2</sup> / AWG15 (A05VV-U 2x1.5 mm<sup>2</sup> / AWG15)

**Note:** Other cable types can be tested for suitability by INDECT upon request.

### INDECT Electronics & Distribution GmbH

Rennweg 83  
2345 Brunn am Gebirge  
AUSTRIA

T: +43/2236/32 01 99  
F: +43/2236/32 01 99-99  
[office@indect.com](mailto:office@indect.com)  
[www.indect.com](http://www.indect.com)



All rights reserved.

No part of this document may be reproduced, stored in a retrieval system, or transmitted in any form or by any means, electronic, mechanical, photocopying, microfilming, or otherwise, without written permission from Indect Electronics & Distribution GmbH.

Indect Electronics & Distribution GmbH assumes no liability whatsoever for the contents of this document. Indect Electronics & Distribution GmbH reserves the right to change the contents of this document, in its own estimation and without notice. This document is delivered in an "as is" state, and Indect Electronics & Distribution GmbH assumes no liability for its use.